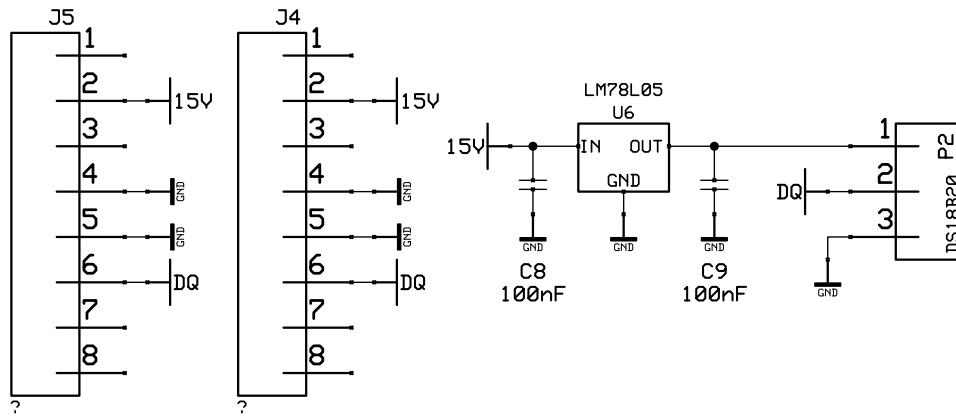


1 Wire T-Connector



1 Wire RC Servo driver

